

# IONIZER USER MANUAL

---

Model 3303E/EL

CoreStat®  
Self-Balanced  
Overhead Ionizing Blower



# IONIZER USER MANUAL

---

Model 3303E/EL

CoreStat®  
Self-Balanced  
Overhead Ionizing Blower

# Contents

---

<b>1. Core Insight Introduction</b> .....	4
<b>2. Ionization Technology</b> .....	5
A. Steady State DC Ionization	
B. AC Ionization	
C. Bipolar Pulsed AC Ionization	
D. High Frequency AC Ionization	
E. Pulsed DC Ionization	
<b>3. Application Guide</b> .....	7
A. Basic ESD Control	
B. Ionization for CDM/CBE Controls	
<b>4. Cautions and Personal Safety</b> .....	8
A. Cautions	
B. Personal Safety	
<b>5. General Specification</b> .....	9
<b>6. Drawings</b> .....	10
<b>7. Setup and Operation</b> .....	10
A. Introduction	
B. Contents in the box	
C. Descriptions for Model 3303E	
D. Installation	
E. Turning on the ionizer	
F. Alarm	
<b>8. Maintenance</b> .....	15
<b>9. Warranty and Services</b> .....	16

# Core Insight Introduction 1

---

Core Insight, Inc. is an ionization system manufacturer and supplier to ESD and contamination control application. Core Insight, Inc. also provides ESD Test and Measurement equipment, Professional Static Auditing Kits, EMI Noise Filters and EOS/ESD Technical Services such as ESD Training, Process Assessment, ESD Control Program Development and Product Qualification Testing per ANSI/ESD Standards.

Core Insight, Inc. is a leading company for ESD and contamination control in the fields of semiconductors, flat panel displays, automotive, and general electronic manufacturing industries. Core Insight, Inc. was founded in 2003 and business partnership with ProStat Corporation, ON Filter, Monroe Electronics, Electro-Tech Systems, and Dangelmayer Associates etc.

# 2 Ionization Technology

---

## A. Ionization Theory

Ionization solution has been used many years in electronic industry. Electrical ionization technology is most common design for many applications. Some ionizers designed for ESD application and some of them are contamination control in high technology manufacturing environment. Both are different purpose and may not work in both applications. Follows are the brief summary of differences and user guide for each applications.

## B. Cleanroom Contamination Application

Electric field is one of strong force to attract particles on wafer, glass panel, printed circuit board and other insulator materials. To minimize this force, room ionization is the best solution in high technology and other cleanroom environment.

Pulsed DC ionization technology is the well known solution over many years to minimized air borne particle attraction in cleanroom environment. Using with laminar flow, generated ions can move long distance and wide coverage areas. This will significantly reduce the force between particles and sensitive devices such as wafer, flat panel display and medical items. In results, room ionization improves product yields and less losses.

## C. ESD Control Application

Voltage (or Potential) difference is the reason why ESD event occurs and lead to device damage. Ionizer makes this voltage difference to the same or minimize the level between objects to avoid ESD damage or make it happen at the safe level.

Steady-State DC ionizer is provide high ion current to objects and maintain low peak (or offset) voltage on it. This makes minimize ESD risk in production and suitable for CDM ESD control in control program.

## 2 Ionization Technology

---

CoreStat® Self-Balanced Ionizers developed based on steady-state DC technology and upgraded the ground isolated power circuit design. It can maintain low peak (or offset) voltage performance by intrinsic balancing circuit design with longer maintenance cycle time. It does not require calibration or adjust to maintain low offset voltage and it needs to cleaning emitter points for decay performance.

### D. AC Ionizations and Application

Core Insight, Inc. provides several AC ionization systems. Conventional AC ionizer for industrial applications such as roll to roll or winding & unwinding of paper, film and non-ESD sensitive areas. Bipolar Pulsed AC ionizer is output parameter adjustable technology to meet each application requirements. High Frequency AC has adopt piezo crystal power supply for neutralize charge on insulative materials in small package. AC ionizer generates more Ozone than DC in the environment and may cause of side effects in sensitive device handling areas.

All ionizers performed and tested per ANSI/ESD STM3.1 and other documents such as ANSI/ESD SP3.3, ANSI/ESD SP3.4 and ANSI/ESD SP3.5.

For more detail information about ionizer solution and technical support needed, please feel free to contact our sales representative at [sales@coreinsight.co.kr](mailto:sales@coreinsight.co.kr) or your local contacts.

# 3 Application Guide

---

## A. Basic ESD Control

Basic ESD control is mandatory required to electronic industry. It follows simple principle to make equipotential between ESD sensitive items. Personal grounding, ESD safe worksurfaces and ESD safe packaging materials are the key control items in ESD protected area.

## B. Ionization for CDM/CBE Controls

Due to automated process in high technology manufacturing environment, Charged Device Model (CDM) or CDM-like ESD damage becoming a major portion of device failures. Industry Council agreed to reduction of CDM protection target level down to 125V level and will impact basic level of ESD control program and organization. Not only CDM, but also Charge Board Event (CBE) like ESD issues are increasing due to device complexity and stored large amount of charge on printed circuit board.

Strategic guidance has been proposed by the EOS/ESD Association. Lowering device charged voltage level and increasing resistance of contact materials are the key strategic elements to prevent or minimize ESD damage.

ANSI/ESD S20.20 standard requires maximum allowable field strength is 125 V/inch for 200 V CDM device. Low peak (or offset) voltage of ionizer performance is important for ESD sensitive device control and control program per S20.20 based.

Core Insight, Inc. provides intrinsic low peak balancing Steady-State DC Ionizers for CDM ESD control with less maintenance.

For more detail information about ionizer solution and technical support needed, please feel free to contact our sales representative at [sales@coreinsight.co.kr](mailto:sales@coreinsight.co.kr) or your local contacts.

# Cautions and Personal Safety 4

---

## A. Cautions

Use of proper input voltage to avoid damaging the system.

Verify input AC power cable from receptacle or FMS terminal connection between ionizer and equipment power supply before turn on the system.

Disconnection cable or power adapter from ionizer will damage the system.

Do not clean emitter point while the system is powered. This may result of additional contamination issue and possible electrical shock.

Do not open the system by un-authorized personnel while the system is powered. This will void the warranty and may result in additional cost.

## B. Personal Safety

Before performing any maintenance on emitter points, it is highly recommended turn-off the system. Allow few minutes for high voltage power supplies to discharge.

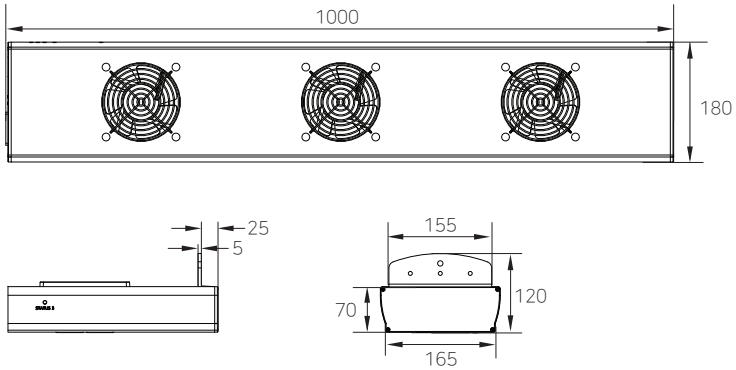


# 5 General Specification

Input Voltage	100 - 240 VAC, 1A Maximum
Ion Emission	Steady-State DC Technology
Ion Balance	<±20V
Discharge Time	Less than 1 sec at 45cm (high fan speed)
Air Flow	100-150 CFM
Alarm	Visual & Audio alarm operates ionizer balance and power failure
Monitoring	FMS 8 channel terminal
Operating Environment	Temperature: 15 ~ 35 °C Humidity: 35 ~ 60% RH
Material	Enclosure & Filter: ABS plastic Emitter Points: Tungsten (replaceable) Bracket: ABS plastic
Dimensions(mm)	1000W x 118H x 180D(with bracket)
Weight	3.6 kg
Warranty	2 year limit warranty
Selection	1) Model 3303E: Built-in Auto-Cleaning Brush 2) Model 3303: Without Auto-Cleaning Brush 3) Model 3303L: No Cleaning Brush, LED Lights 4) Model 3303EL: Built-in Auto-Cleaning Brush, LED Lights

Status	Visual	Audio
Normal Operation	Green	Inactivate
HV Power Fail	RED	Continuous Sound
Balance Fail	RED Blinking	Beeping Sound

# Drawing 6



# Setup and Operation 7

## A. Introduction

Model 3303E/EL overhead ionizing blower designed workstation ionization applications. Model 3303E/EL is very reliable for long-term operation without calibration and less maintenance resources for semiconductor, flat panel display and general electronic assembly applications.

Model 3303E/EL ionizing blower can discharge less than 2 second at 45 cm distance. Model 3303E ionizing blower maintains intrinsic balancing less than  $\pm 20V$  in ESD control area. Built-in auto-cleaning brush operates when the back-side fan filter grill is open or power on/off sequence. Audio and visual alarm operates when ion balance exceeded the limit and power supply failure. Model 3303EL has LED light and long life time operation. Light weight and slim design allow versatile application and convenient use when space is limited.

# 7 Setup and Operation

---

## B. Contents in the box



Model 3303E/EL overhead Ionizing Blower



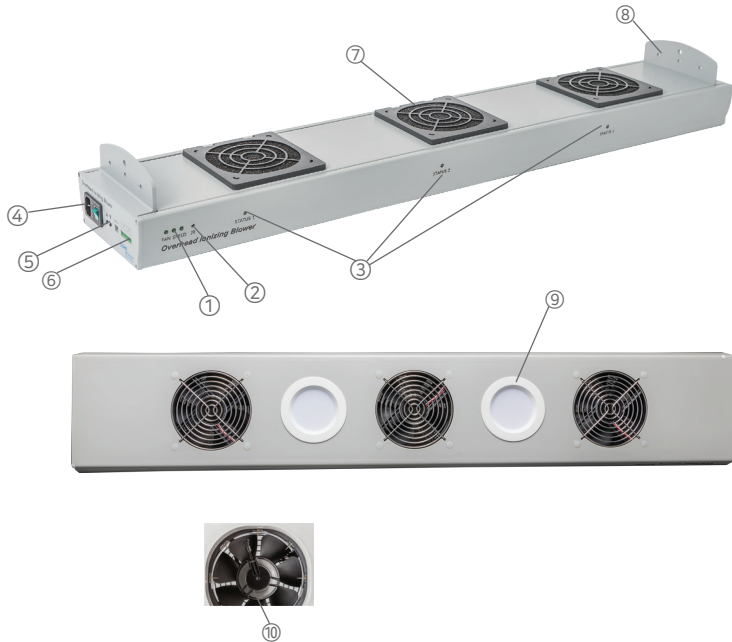
Model 5331R Remote Controller



AC Power Cable

## 7 Setup and Operation

### C. Descriptions for Model 3303E/L Ionizers



- 1) Front LED for Fan Speed from 1 to 3 Levels
- 2) IR Receiver for Model 5331R Remote Controller
- 3) Ion Balance Alarm Level Adjustment
- 4) AC Power Inlet
- 5) Fan Speed Control Switch Up/Down
- 6) 8 Channel FMS Terminal
- 7) Model 5380GF Grill Filter Assembly
- 8) ABS Plastic Bracket
- 9) LED Light
- 10) Model 5380AC Built-in Auto-Cleaning Brush

# 7 Setup and Operation

---

## D. Installation

Place the ionizer in the desired location. (See the discharge time performance data on specification for proper distance selection). User must be concern air blockage or near conductive object between ionizers and neutralizing items.

## E. Turning on the ionizer

Use the on/off switch on the left side of the unit to turn on the ionizer. The green LED will light. Once the ionizer is powered on, its position and angle may be re-adjusted to achieve optimum discharge time within the application area.

## F. Fan Speed Adjustment

### 1) Up/Down Switch

To change fan speed, user needs to press and hold Up/Down switches for 3 seconds and it will beeping once. Then, user get into the fan speed adjustable mode and press Up or Down switch for change fan speed. It can select level 1 to 3. Level 1 speed is about 100 CFM, level 2 is about 125 CFM and level 3 is about 140 CFM air volume.

### 2) Using with Model 5331R remote controller

Press the Start button and user get into the fan speed adjustable mode and press Up or Down switch for change fan speed. To set preferred speed, user must be press END. Power switch will make ionizer in stanby mode and press END to set this status or release automatically in 60 seconds.

## G. Auto-Cleaning

Model 3303E has auto-cleaning features and cleaning emitter points when user power on/off sequence. Auto-cleaning brush operates and cleaning emitter points momentarily powered. When user power off ionizer, air fan get slower operation and auto-cleaning brush get closer to emitter points and do cleaning emitter points longer time. Auto-cleaning brush will not make constant contact with emitter points when normal operation. Or user press Power button on Model 5331R remote controller, it will momentarily power down, start cleaning emitter points and back to operate again in 60 seconds.

## 7 Setup and Operation

### H. Facility Monitoring System (FMS)

When user wants to connect FMS terminal for monitoring, connect wiring as following instructions.

FMS output signal			
Condition	Pin 1 / 2	Pin 3 / 6	Pin 4
Normal	Open	4 - 5mA	Open
Alarm	Closed	7 - 20 mA	Closed
Power Off	Closed	Open	Closed

### I. Alarm

In an alarm status, the RED LED in front panel of the ionizer will light on and activate audio alarm too. When ionizer does not maintain specified balance limit, alarm LED operates with beeping sound audio alarm. When ionizer high voltage power unit operates abnormal way, alarm LED operates with continuous sound audio alarm.

# 8 Maintenance

## Warning

There are no user-serviceable parts inside the ionizer. Any unauthorized service will void the warranty and may result in additional repair charge.

## General Maintenance Information

Emitter point maintenance ensures continued performance of ionizer. Dirt or erosion to emitter points can be caused by a number of environmental factors, including airborne molecular contamination issue in cleanroom.

### Step 1. Recommended Cleaning Materials:

- 1) Cleanroom-compatible cloth or wipe
- 2) Cleanroom approved swabs (foam is not recommended)
- 3) Cleaning solution of 50% isopropyl alcohol (IPA) and 50% deionized water mixture

## Caution

Do not clean emitter points while the unit is powered. Doing so may result in additional contamination and possible shock. After removing power from the ionizer, allow few minutes for high voltage power supplies to discharge.

### Step 2. Cleaning Inside of Enclosure

Moisten a cloth with the IPA solution. Wipe off any dirt that may have accumulated inside of the unit.

### Step 3. Cleaning the Emitter Points

Turn off the unit or just simply open one of the fan grills when ionizer still operation mode. When the fan grill open, it will automatically powered down and no high voltage powered. Clean the emitter points and areas around the emitter points, moisten a cleanroom-compatible swab or cleaning cloth with the IPA solution, or use cleaning solution from Core Insight. Gently rotate the swab or cleaning cloth around the emitter point. After cleaning allow the emitter points for dry out about 20 minutes. Turn on the system.



# Warranty and Service 9

---

Core Insight, Inc. provides a limited warranty for all ionizers. New products manufactured or sold by Core Insight, Inc. are guaranteed to be free from defects in material or workmanship for a period of defined schedules from the date of initial shipment. Core Insight, Inc.'s liability under its new product warranty is limited servicing (evaluating, repairing or replacement) any unit returned from customers that has not been subjected to misuse, neglect, lack of routine maintenance, repair, alteration or accident. In no event shall Core Insight, Inc. be liable for collateral or consequential damages.

To obtain service under this warranty, please contact sales representative at [sales@coreinsight.co.kr](mailto:sales@coreinsight.co.kr) or local contacts.





